



KUVARS TRANSLATION AGENCY
BULGARIA

KUVARS TRANSLATION AGENCY

Sofia city, Lozents region, p.c 1164,
19 Yakubica str. fl 2, office B
Kardjali city, p.c 6600, 47 Bulgaria str.

tel.: +359 890 512 612; info@kuvarstranslate.com



KUVARS TRANSLATION AGENCY
BULGARIA

Translation from Bulgarian

CENTER FOR TESTING AND EUROPEAN CERTIFICATION

Stara Zagora, 23 P. Evtimiy str., Tel.: 042/620-368,
Fax: 042/602 377, ctec@ctec-sz.com

[Logo]

CONSTRUCTION PRODUCTS TESTING LABORATORY (CPTL)

Stara Zagora, 2 Industrialna str.

The Executive Agency "Bulgarian Accreditation Service" (EA BAS) is a EA MLA party

Accreditation Certificate Reg. No. 252 LI / 26.09.2019 valid till 18.06.2022
issued by EA BAS in accordance with BDS EN ISO/IEC 17025:2018

Stamp: EA BAS
Reg. No. 252 LI
Testing Laboratory

Page 1 of 13

TEST REPORT

No. 1 26 0245 / 06.02.2020

1. Test Sample: Ladder – Wooden Folding Ladder. Manufacturer: "Renovation Europe"
EOOD

(name, product description, unique identification, condition)

2. Applicant: Renovation Europe EOOD, 1360 Sofia, 1 Yanaki Mollov str.

(applicant's name, address and contact information)

3. Testing Application: No. 2-0091 / 03.02.2020, no sampling protocol by CPTL

(application number and date; the number and date of the sampling protocol when performing the sampling for testing)

4. Testing Location: CPTL

(place of carrying out the laboratory activities)

5. Test Method(s):

BDS EN 131-1:2016 Ladder. Part 1: Terms, types, functional sizes

BDS EN 131-2:2010+A2:2017 Ladders - Part 2: Requirements, testing, marking

(Identification)

6. Date of receipt of the test sample in the laboratory: 03.02.2020 – 1 pcs wooden folding ladder

7. Testing Date: 06.02.2020



ill.

(Ing. Hr. Angelova)
Round official seal of the laboratory

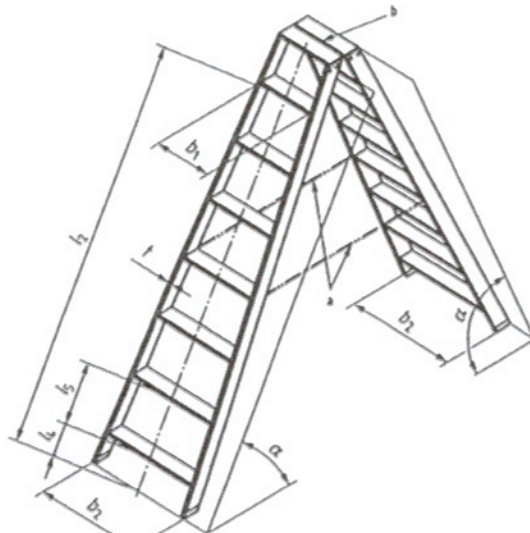
Test Report No. 1 26 0245 / 06.02.2020
Page 2 of 13

8. Test Results:

No.	Test Name / Characteristic	Testing Measurement	Test Method	Sample No. acc. to the Log	Test Results (uncertainty)	Environmental Conditions
1	2	3	4	5	6	7
1. Functional Sizes						
1.1	Usable width of uppermost step - b_1	mm	BDS EN 131-1:2016	0176-0	277	$t^{\circ}=(23\pm 0.2)^{\circ}\text{C}$ $\text{RH}=(52\pm 1)\%$
1.2	Width of the lower end of the ladder - b_2				470	
1.3	Distance between ladder feet under load - l				630	
1.4	Distance from the top step to the lower end of the ladder - l_2				915	
1.5	Distance from the lowest step to the lower end of the ladder - l_4				338	
1.6	Distance between 1 st and 2 nd step - l_5				282	
1.7	Angle of inclination of the stepping part - α	degree			75	

BDS EN 131-1, item 4.6, Fig. 36

Round official seal of the laboratory



8. Test Results:

No.	Test Name / Characteristic	Testing Measurement	Test Method	Sample No. acc. to the Log	Test Results (uncertainty)	Environmental Conditions	
1	2	3	4	5	6	7	
2.	Residual deformation under load	Visual, mm	BDS EN 131-2:2010+A2:2017	0176-0	Functionality retained. No fractures and no visible cracks	t°=(23±0.2)°C RH=(52±1)%	
3.	Bending deformation	mm					0.1
4.	Deformation under lateral pressure	mm					0.1
5.	Residual ladder feet deformation under load	mm					0.5
6.	Residual step deformation after bending	mm					0.0

9. Declaration of conformity of the test results with the limit values: in accordance with the annexes to the Report

10. Additions, deviations or exceptions to the test method: none

11. Further information required by the specific method: none

NOTE I: The test results apply only to the test samples.

NOTE II: The test report may only be reproduced in its entirety or with the written permission of the laboratory.

NOTE III: The laboratory is not responsible for sampling when provided by the customer - the results relate only to the sample provided by an external source.

Tests performed by: *Signature – ill.*

(A. Luskov)

Head of Testing Laboratory: *Signature –*

(Ing. Hr. Angelova)
Round official seal of the Laboratory



